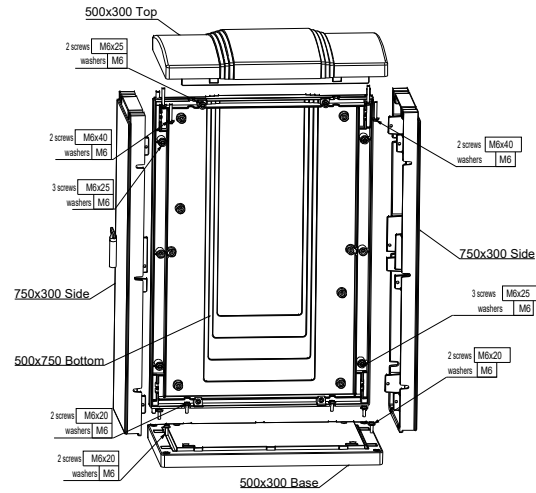
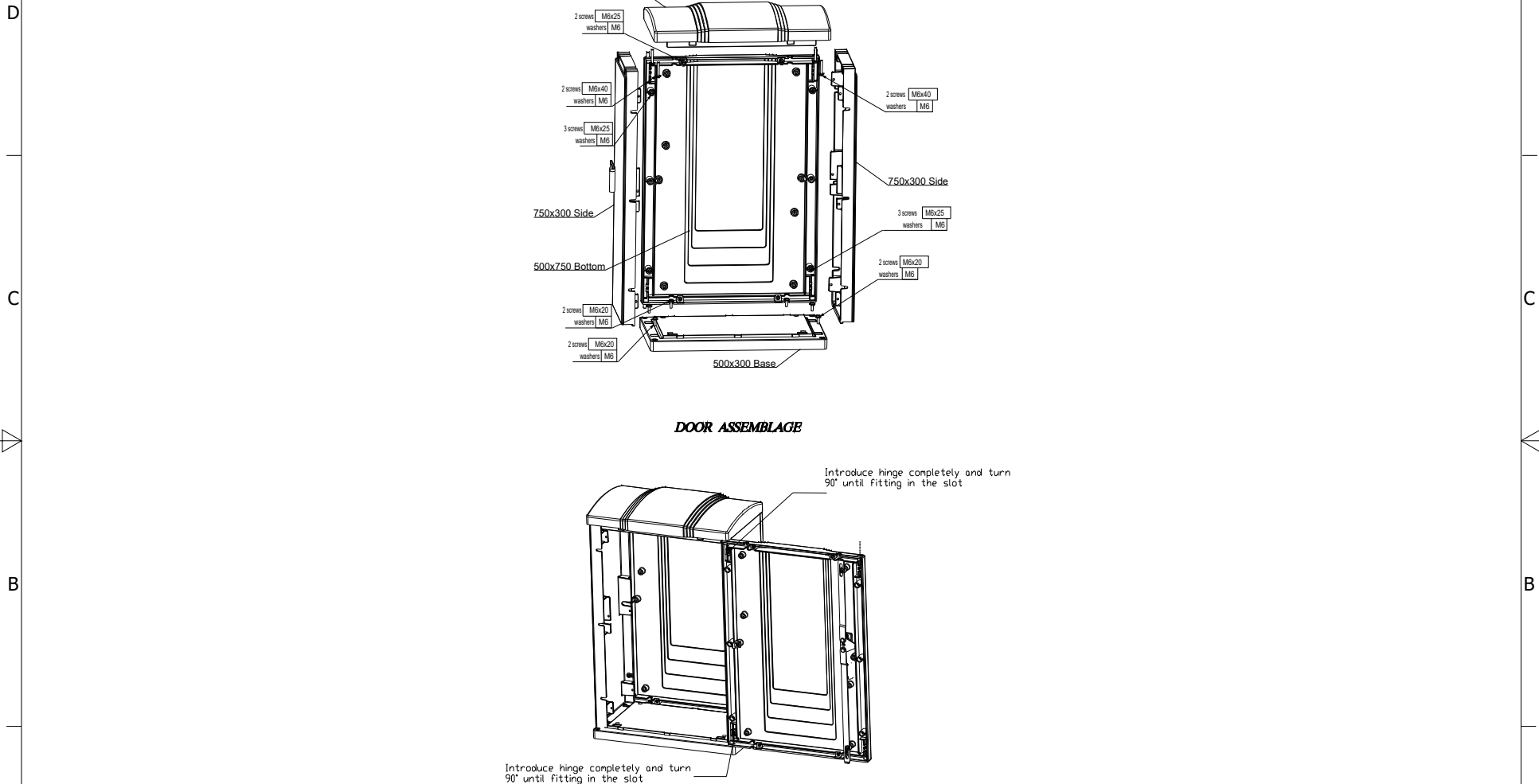
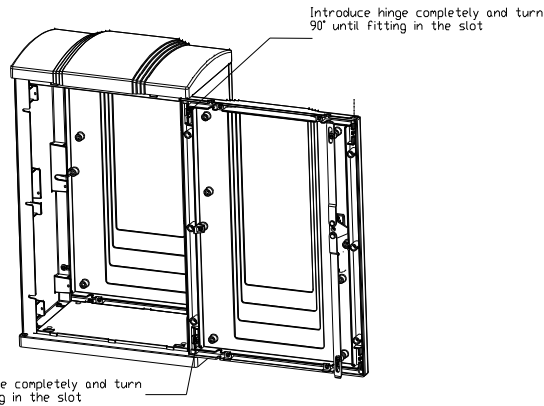



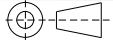
6 | 5 | 4 | 3 | 2 | 1

ENCLOSURE ASSEMBLAGE



DOOR ASSEMBLAGE



DRAWN BY	DRAWING DATE (DD/MM/YY)	EFFECTIVE DATE: (DD/MM/YY)	PRODUCT NAME:	PRODUCT NUMBER:	ACC NUMBER:	
JK	14-02-20	14-02-20	MB Kiosk Single Door Ground Mounted IP43 750x500x300 Flatpack	222167		
TOLERANCE: +/- 5mm Unless Specified		UNITS: mm	SCALE: NOT TO SCALE	DRAWING TYPE:		
MATERIAL: GRP		DRWG NO:	TANK REVISION:	REV. NO. 000	PAGE SIZE: A4	
JOB NUMBER:		WEIGHT (KG):	PROJECT NO:	ECO NO:	COUNTRY:	

6 | 5 | 4 | 3 | 2 | 1