

6

5

4

3

2

1

D

D

C

C

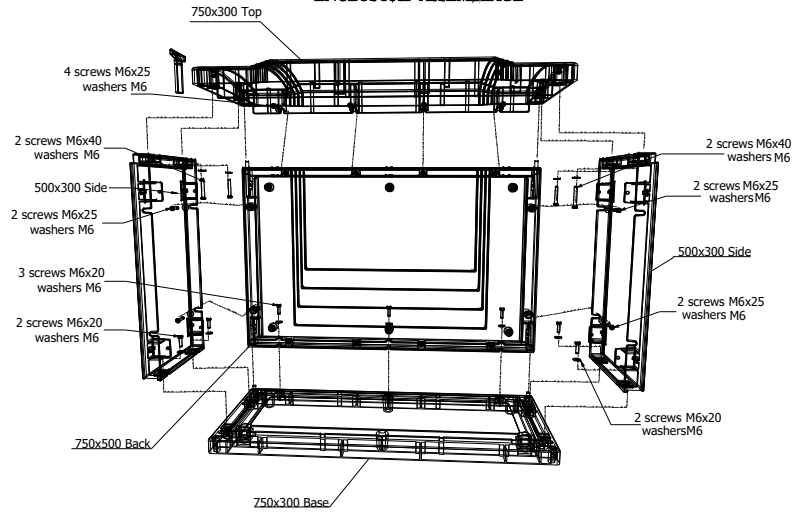
B

B

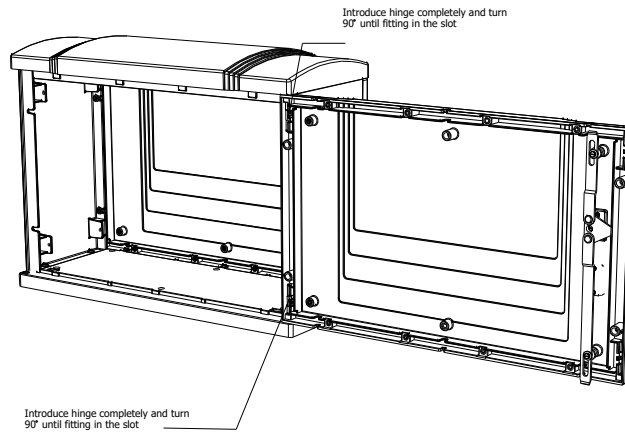
A


A

ENCLOSURE ASSEMBLAGE



DOOR ASSEMBLAGE



DRAWN BY JK	DRAWING DATE (DD/MM/YY) 14-02-20	EFFECTIVE DATE: (DD/MM/YY) 14-02-20	PRODUCT NAME: MB Kiosk Single Door Ground Mounted IP43 500x750x300 Flatpack	PRODUCT NUMBER: 222169	ACC NUMBER:	 TRICEL
TOLERANCE: +/- 5mm Unless Specified			UNITS: mm	SCALE: NOT TO SCALE	DRAWING TYPE:	
MATERIAL: GRP			DRWG NO:	TANK REVISION:	REV. NO. 000	PAGE SIZE: A4
JOB NUMBER:			WEIGHT (KG):	PROJECT NO:	ECO NO:	COUNTRY:

6

5

4

3

2

1