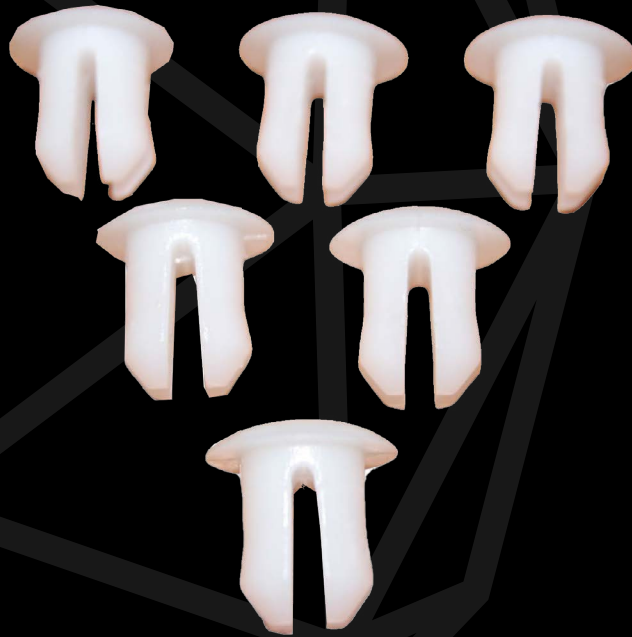


METER BOXES

BY TRICEL

40+ YEARS
TECHNICAL
EXPERIENCE



**SURFACE MOUNTED GAS METER
BOX COVER FIXING STUDS**

STOCK CODE: EK0005



TRICEL

CONSTRUCTION

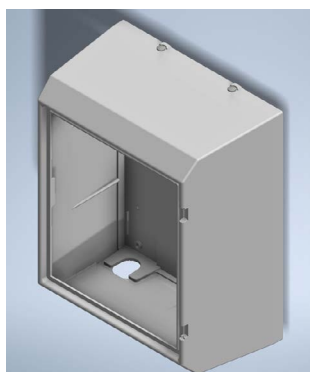
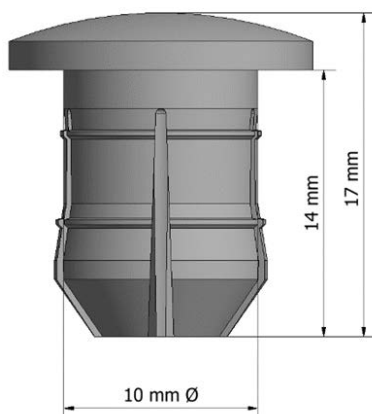
SURFACE MOUNTED GAS METER BOX COVER FIXING STUDS

Fixing solution for Mark 2 surface mounted front cover with the back frame.

Quantity: Six studs per pack.

DIMENSIONS:

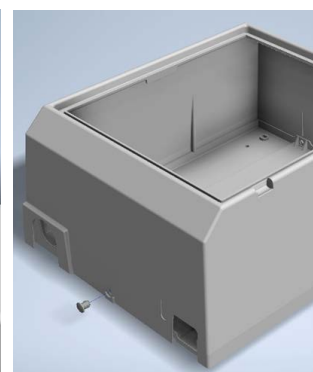
10mm shank diameter, 16mm head diameter, 17mm total height.



In-situ Stud fitted with Mark 2 Surface meter boxes.



Easy push-fit installation images



**METER
BOXES**
BY TRICEL

40+
YEARS
TECHNICAL
EXPERIENCE

ASSOCIATED PRODUCTS:



Mark 2 surface Mounted Gas Box Door and Frame (GD0004)



UK Standard Mark 2 Surface Mounted Gas Meter Box (GB0002)



Mark 2 Surface Mounted Electric Meter Box (EB0022)

In accordance with Tricel's normal policy of product development these specifications are subject to change without notice.

TRICEL UK
Tel: +44 (0)1453 791616
Registered number 02868648

TRICEL IRL
Tel: +353 (0)64 663 2421
Registered number IE 075014