

6

5

4

3

2

1

D

D

C

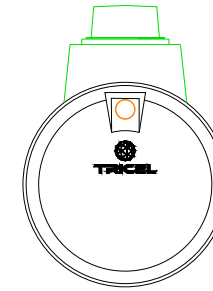
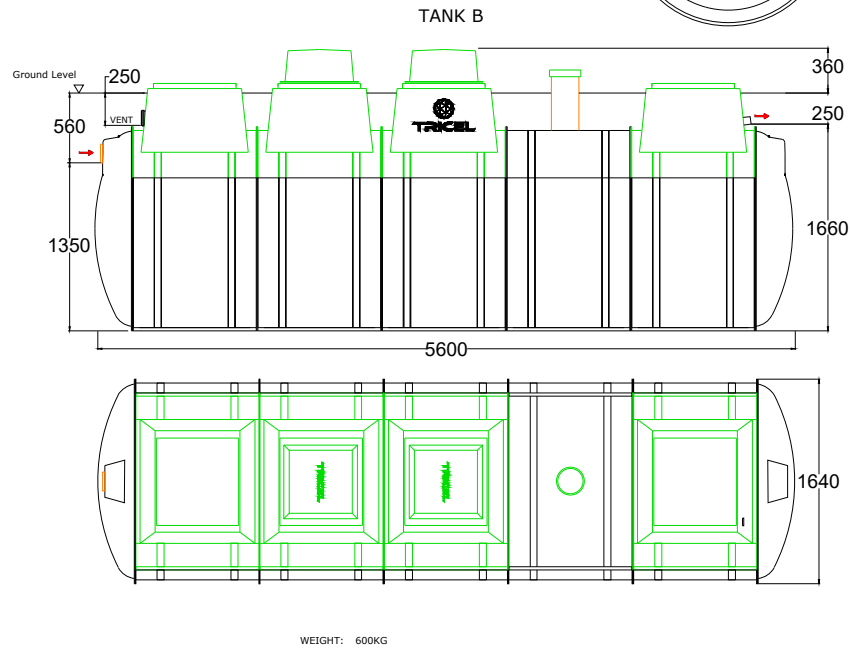
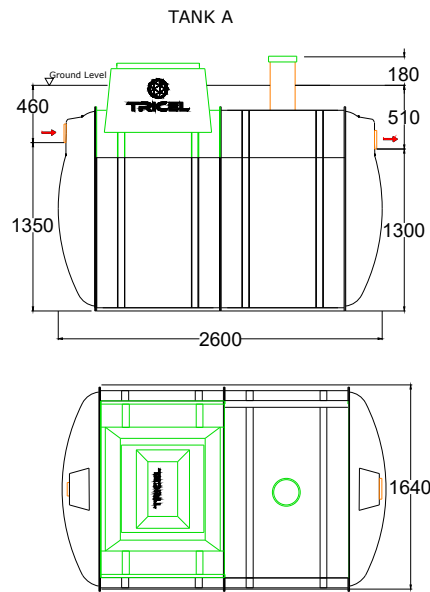
C


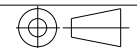
B

B

A

A



DRAWN BY	DRAWING DATE (DD/MM/YY)	EFFECTIVE DATE (DD/MM/YY)	PRODUCT NAME:		PRODUCT NUMBER:	ACC NUMBER:		
			<b>Novo IE 30 Pumped</b>		<b>221109</b>	<b>TPIE3001</b>		
NR	16/11/16	18/11/16	TOLERANCE: +/-5mm unless Specified	MATERIAL: GRP	SCALE: NOT TO SCALE	DRAWING TYPE: SALES		
UNITS: mm			DRWG NO: N/A	TANK REVISION: AE	REV. NO. 000	PAGE SIZE: A4		
JOB NUMBER: N/A			WEIGHT (KG): 300+600	PROJECT NO: N/A	ECO NO: N/A	COUNTRY: Ireland		

6

5

4

3

2

1