

6

5

4

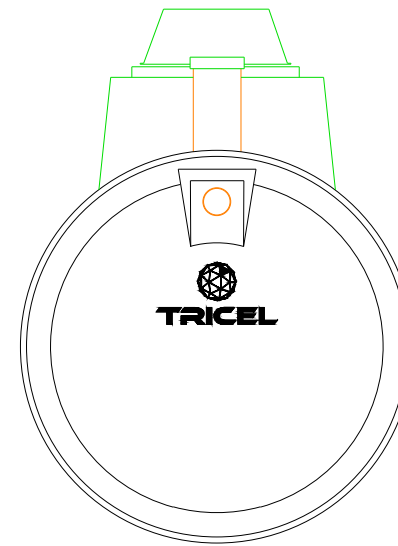
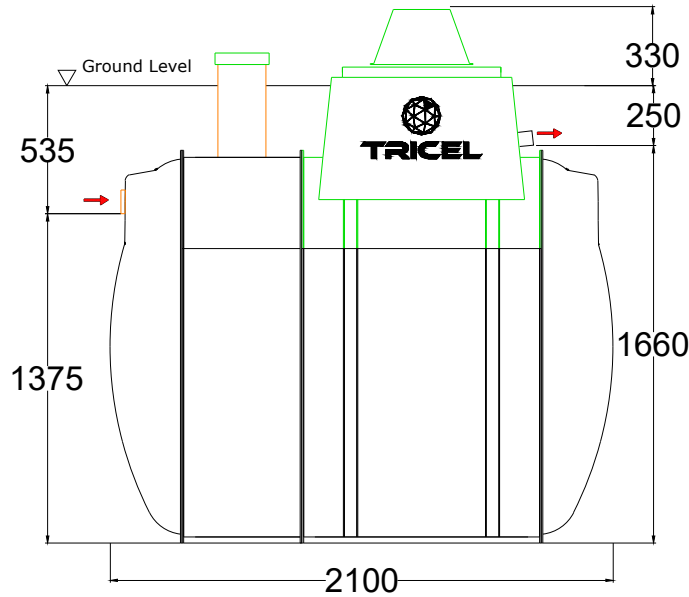
3

2

1

D

D

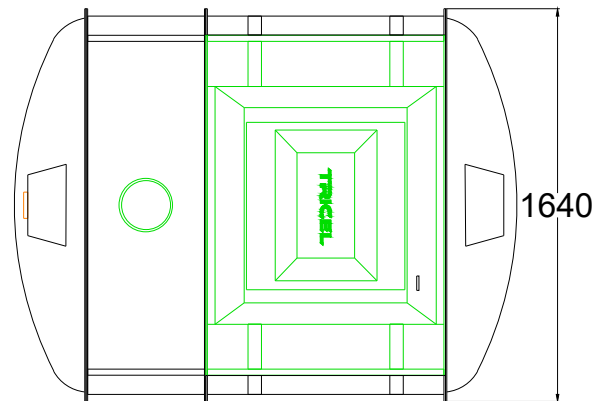


C

C


B

B



A

A

DRAWN BY NR	DRAWING DATE (DD/MM/YY) 16/11/16	EFFECTIVE DATE: (DD/MM/YY) 18/11/16	PRODUCT NAME: <b>Novo IE6 Pumped</b>	PRODUCT NUMBER: <b>221103</b>	ACC NUMBER: <b>TPIE0602</b>	
TOLERANCE: +/-5mm unless Specified			MATERIAL: GRP	SCALE: NOT TO SCALE	DRAWING TYPE: SALES	
UNITS: mm			DRWG NO: N/A	TANK REVISION: AE	REV. NO. 000	
JOB NUMBER: N/A			WEIGHT (KG): 270	PROJECT NO: N/A	ECO NO: N/A	

6

5

4

3

2

1