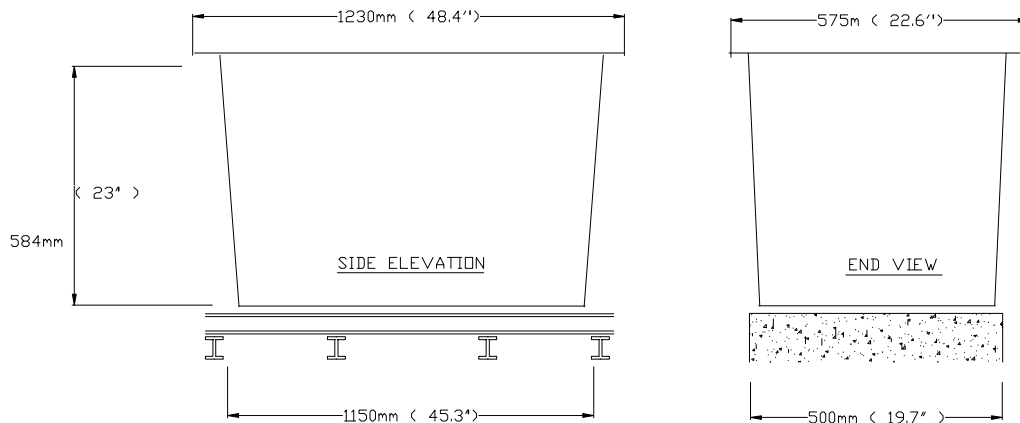


Specification & installation instructions for one piece cold water tanks.

Tank Capacity : 318 Litre (70 Gallon).

Category : Standard Tank – Not Insulated.



DO NOT SCALE DRAWING.

Tank may be placed directly on a suitable concrete plinth which is flat and level or on RSJ beams etc., provided that the tank base is totally supported. This may be achieved by overlaying RSJ beams with wood or steel.

| | |
|---------------------------------|----------------------------------|
| Nominal Tank Capacity | : 318 Litres ; 70 Gallons. |
| Tank Weight empty | : 15 Kg. (33 Lbs) |
| Tank Weight full | : 333 Kg. (732 Lbs) |
| Minimum base size for tank | : 1150 x 500 mm. (45.3" x 19.7") |
| Dimensions of Lid (if required) | : 1240 x 585mm |

Guidelines for locating water tanks

- Water storage tanks should never be located in a position where a leak / failure can cause water damage.
- All tanks which are located above sensitive areas should have a bund wall around them or else the tank room should be tanked out.
- All other tanks should have Condensation or Drip trays to prevent nuisance damage and to keep floors dry.

Installation Notes

- a. Ensure that the base of the cistern is adequately and uniformly supported over its whole area.
- b. Support and align the pipes so as not to distort the cistern, and do not over tighten the back nuts.
- c. Ensure that circular holes for fixing pipes have a clean edge, free from notches, and cut them with a hole saw or drill them with a sharp cutter.
- d. Position the cistern so that it is not in close proximity to any source of heat.
- e. The tank should not be left unattended during commissioning.
- f. Check that internal steel stays are in place.
- g. Adequate overflows should be fitted to prevent the tank from being pressurised.
- h. Tanks in exposed places may be susceptible to movement in high winds, especially when empty.

Note :

Tanks must be installed and maintained in accordance with Tricel (Killarney) installation & maintenance instructions, copies of same are available upon request.



Ballyspillane Industrial Estate, Killarney, Co. Kerry, Ireland.

Ph 064-6632421 Fax 064-6622686

E-Mail: sales@ie.tricel.eu Web : www.ie.tricel.eu

In accordance with Tricel (Killarney) Unlimited Company, normal policy of product development this specification is subject to change without notice.