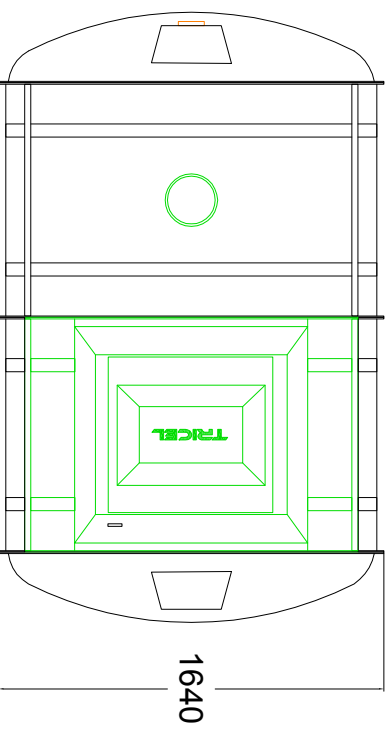
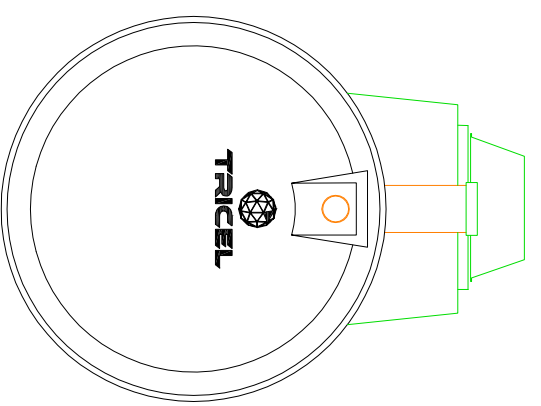
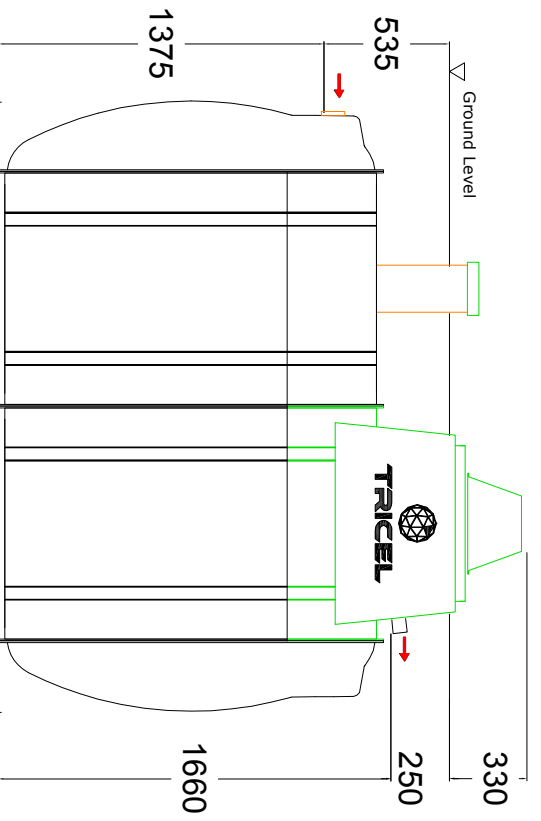


SALES SPECIFICATION



BY		DATE		PRODUCT NAME:		WEIGHT:		SCALE		PART NO.:		SIZE	
NR		16/11/2016		Novo IE8 Pumped		300 KG		NOT TO SCALE		TP1E0801		N/A	
TOLERANCE: +/-5		COUNTRY: IRELAND		NOVUM		REV. NO. 00.00		TANK REVISION: AE		DRAWG NO: 0000		ISSUE DATE: 18/11/16	
MATERIAL: GRP		UNITS: MILLIMETERS		TRICEL		REV. NO. 00.00		TANK REVISION: AE		DRAWG NO: 0000		ISSUE DATE: 18/11/16	
TRICEL (KILLARNEY) UNLIMITED COMPANY RESERVES THE RIGHT TO CHANGE THE SPECIFICATION WITHOUT PRIOR NOTIFICATION. PRINTED COPIES OF THIS DOCUMENT ARE UNCONTROLLED UNLESS STATED OTHERWISE													

