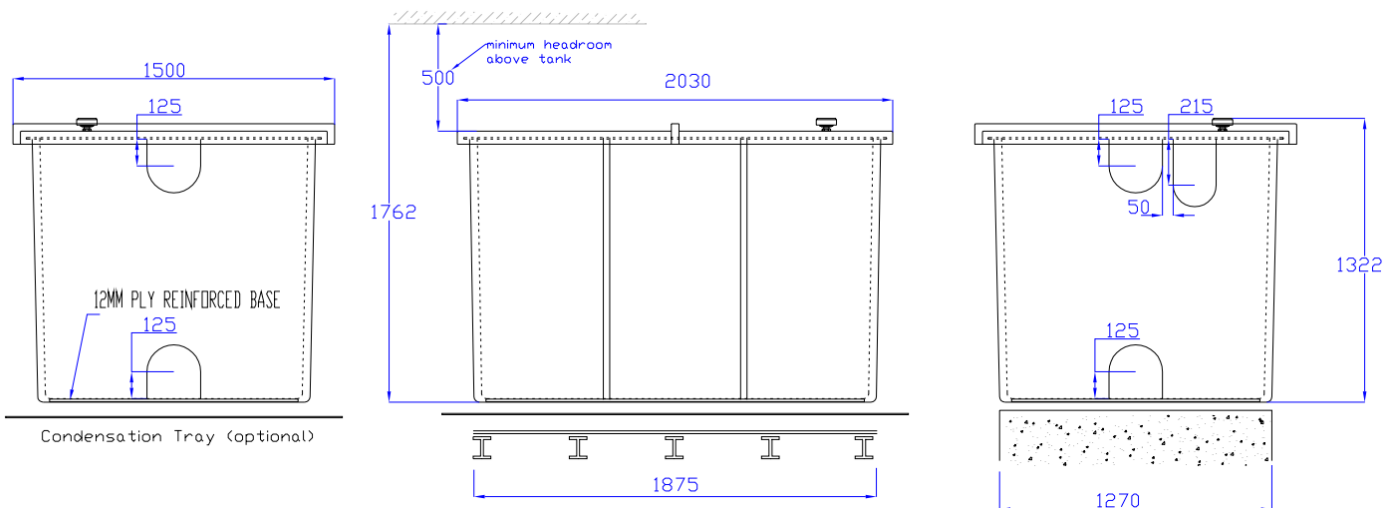


**Specification & installation instructions for one piece cold water tanks.**

## Specification & Installation Instructions for One Piece Cold Water Tanks

**Tank Capacity : 2700 Litre (600 Gallon)**

**Category : Standard Tank – Insulated**



**DO NOT SCALE DRAWING.**

Tank may be placed directly on a suitable concrete plinth which is flat and level or on RSJ beams etc., provided that the tank base is totally supported. This may be achieved by overlaying RSJ beams with wood or steel. Tank can be supplied with or without Condensation tray as per customer requirement.

- Nominal Tank Capacity : 2700 Litres ; 600 Gallons
- Tank Weight empty : 168 Kg. (370 Lbs)
- Tank Weight full : 2868 Kg. (6323 Lbs)
- Minimum base size for tank : 1875 x 1270 mm. (74" x 50")
- Overall Dimensions : 2030 x 1500 x 1322 mm high
- Condensation tray (optional) : 2175 x 1570 mm

## **Guidelines for Locating Water Tanks**

- Water storage tanks should never be located in a position where a leak / failure can cause water damage.
- All tanks which are located above sensitive areas should have a bund wall around them or else the tank room should be tanked out.
- All other tanks should have Condensation or Drip trays to prevent nuisance damage and to keep floors dry.

## **Installation Notes**

- a. Ensure that the base of the cistern is adequately and uniformly supported over its whole area.
- b. Support and align the pipes so as not to distort the cistern, and do not over tighten the back nuts.
- c. Ensure that circular holes for fixing pipes have a clean edge, free from notches, and cut them with a hole saw or drill them with a sharp cutter.
- d. Position the cistern so that it is not in close proximity to any source of heat.
- e. The tank should not be left unattended during commissioning.
- f. Check that internal steel stays are in place.
- g. Adequate overflows should be fitted to prevent the tank from being pressurised.
- h. Tanks in exposed places may be susceptible to movement in high winds, especially when empty.

## **Tanks Insulated and Finished to Format 30**

- Current legislation states that water hot or cold, in any premises that might be used for human consumption must be of potable quality.
- In addition to tank material specifications, there are now further requirements for lid design, the screening of vents, breathers, overflows, warning tell tale pipes and the provision of insulation which will help prevent freezing and also help keep water as cool as practicable, ideally less than 20°C.
- Format 30 is Tricel description of tanks with covers, complete with screened vents, overflows, warning pipes etc and having side wall and roofs with a (u) value of 2.5 w/m<sup>2</sup>K. This value meets the requirements of section 30 of the water bye laws in the majority of situations. Tanks in boiler rooms etc may also need base insulation. The purchaser can specify extra requirements or thermal transmittance after considering the period of protection necessary, the tank location and the surrounding conditions.

**Please Note :** Insulation slows down but does not prevent heat loss or gain over protracted periods. Additional information is available in BS 7491 & BS 6700.

### **Note :**

**Tanks must be installed and maintained in accordance with Tricel Installation & Maintenance Instructions, copies of same are available upon request.**

Ballyspillane Industrial Estate, Killarney, Co. Kerry, Ireland.

Ph +353 (0) 64 6632421

E-Mail: [sales@ie.tricel.eu](mailto:sales@ie.tricel.eu) Website: [www.ie.tricel.eu](http://www.ie.tricel.eu)